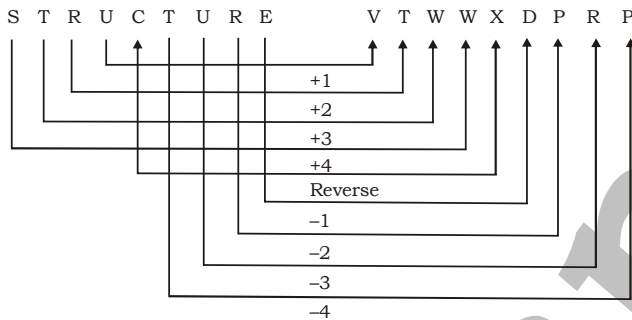
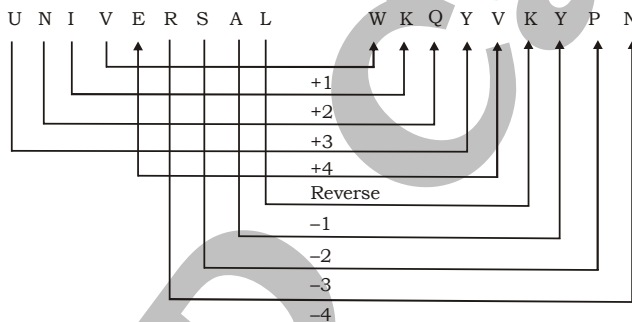


SSC MOCK TEST - 350 (SOLUTION)

1. (C) Galvanometer is used to measure electric current, while Graphometer is used to measure angles.
2. (A) As, $18 \times (18 \div 2) = 162$
Similarly, $28 \times (28 \div 2) = 392$
3. (D) Except Ostrich, others can fly.
4. (C) (A) $18 \times (1 + 8) = 162$
(B) $27 \times (2 + 7) = 243$
(C) $33 \times (3 + 3) = 198 \neq 208$
(D) $44 \times (4 + 4) = 352$
5. (B) As,



Similarly,



6. (D) $243 - 2^3 = 235$
 $235 - 3^3 = 208$
 $208 - 4^3 = 144$
 $144 - 5^3 = 9$
7. (A)

L	J	Q	M	L	T	N	N	W	O	P	Z
↑	↑	↑	↑	↑	↑	↑	↑	↑	↑	↑	↑
		+1			+1			+1			
		+2			+2			+2			
		+3			+3			+3			
8. (B) According to the question;
Odd days between 16 January 2010 to 16 January 2015
⇒ $1 + 2 + 1 + 1 + 1 = 6$ (As year 2012 is a leap year)
So, the day on 16 January 2010
= Friday - 6 ⇒ Saturday

9. (B) As, $\sqrt{25} \times \sqrt{36} = 30$

Similarly, $\sqrt{49} \times \sqrt{225} = 105$

10. (C) a d l p k / a d l p k / a d l p k

11. (C)

12. (A) **In the first row,**

$16 \times 9 = 144 \Rightarrow 1 \times 4 \times 4 = 16$

In the second row,

$25 \times 8 = 200 \Rightarrow 2 \times 0 \times 0 = 0$

In the third row,

$13 \times 11 = 143 \Rightarrow 1 \times 4 \times 3 = 12$

13. (B) $36 \div 6 \times 4 + 5 - 8 = 51$

After changing 6 and 4,

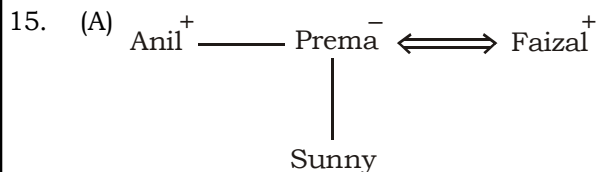
$36 \div 4 \times 6 + 5 - 8 = 51$

$9 \times 6 + 5 - 8 = 51$

$59 - 8 = 51$

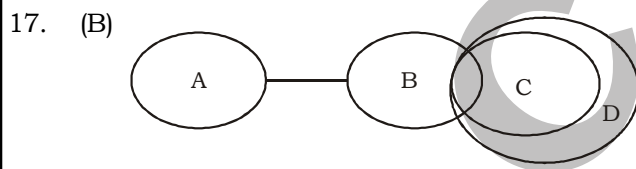
$51 = 51$

14. (B)



Hence, Faizal is the brother-in-law of Anil.

16. (A) 3. Peninsula → 1. Peripheral → 2. Presence → 5. Prevent → 4. Produce



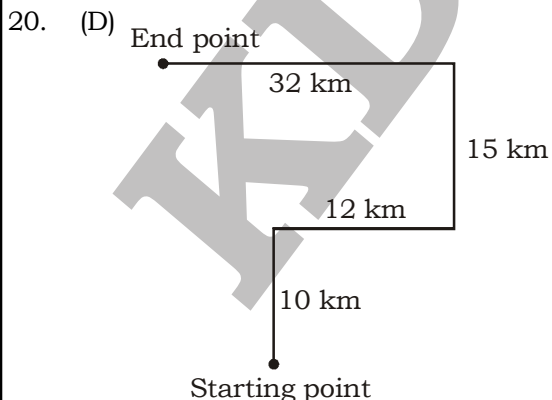
I. False

II. False

III. True

Hence, conclusion III follows.

18. (B) 19. (A)



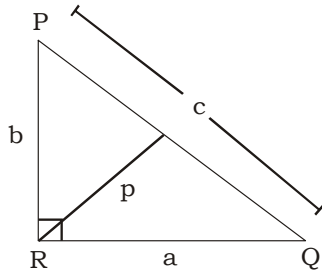
Required distance = $10 + 12 + 15 + 32 = 69$ km

He is in North-West direction at a distance of 69 km.

21. (D) As, $(2 \times 3 \times 9) + 64 = 118$
Similarly, $(6 \times 4 \times 5) + 50 = 170$
22. (D) 23. (C) 24. (D) 25. (A)
26. (C) Four great monarchies in the time of the Buddha were Avanti, Magadha, Kosala and Vamsa (or Vatsa).
28. (B) Directive Principles of State Policy aim to create social and economic conditions under which the citizens can lead a good life. They also aim to establish social and economic democracy through a welfare state. The Directive Principles of State Policy is guidelines/principles given to the Central and State governments of India, to be kept in mind while framing laws and policies.
29. (D) Statutory Liquidity Ratio (SLR) is the amount of liquid assets such as precious metals or other approved securities that a financial institution must maintain as reserves. SLR rate is determined and maintained by the Reserve Bank of India (RBI) in order to control the expansion of bank credit.
30. (B) According to Newton's first law, an object that is at rest will stay at rest unless an external force acts upon it and an object that is in motion will not change its velocity unless an external force acts upon it. So this law is known as the law of inertia.
31. (D) Spirit is highly volatile. So when it is exposed, it evaporates rapidly and if released into the environment it produces a cooling effect.
32. (D) Ronald Ross invented that Malaria is transmitted by mosquitoes. Laveron invented Plasmodium. Mekkulai first gave the term 'Malaria'.
33. (C) Rice is the main kharif crop and groundnut. Rabi Crops : Crops which are grown during the winter season are called Rabi crops Examples: Wheat, Gram, Pea, Linseed.
Kharif crop : The crops which are grown during the rainy season are called kharif crops. Examples: Paddy, Maize, millet, soyabeen, groundnut and Cotton crops.
34. (B) The Assam government has recently announced Chief Minister's Sishu Sewa Scheme for the welfare of those children who lost parents due to COVID-19. Monthly scholarship of Rs. 3,500 per month would be given to those children who lost their parents but have their extended family members. Free residential educational facilities would be provided to children who don't have extended family members.
35. (C) The Chief Minister of Karnataka B S Yediyurappa has launched a portal named Akanksha, which would provide details on all the Corporate Social Responsibility (CSR) activities in Karnataka. This comprehensive portal would help the state Government officials, corporates and donors. It seeks to improve transparency in utilisation of CSR funds by the Government.
37. (B) Mt. Rainier is a volcanic mountain situated in U.S.A. Mt. Etna is situated in Europe, Paricutin volcanic mountain present in Mexico. Taal volcanic mountain is present in Philippines.
38. (D) PN Bhagwati was CJI during July 1985- Dec 1986. During his tenure as CJI, PIL was introduced to the Indian judicial system.
39. (C) Convertibility of rupee implies freely permitting the conversion of rupee to other currencies and vice versa. Currency Convertibility is the ease with which a country's currency can be converted into gold or another currency.
41. (A) The total energy of a revolving electron in any orbit is the sum of its kinetic and potential energies. Energy of an electron at infinite distance from the nucleus is zero. As an electron approaches the nucleus, the electron attraction increases and the energy of electron decreases and thus becomes negative. Thus, it can never be positive.
43. (A) The Union Minister for Information & Broadcasting, M Venkaiah Naidu has recently released a book titled "Gandhi in Champaran" authored by Dinanath Gopal Tendulkar at National Mahatma Gandhi Museum in New Delhi.
44. (A) Badami was also known as Vatapi in Bijapur district of Karnataka. Panamalai or Kanchi in Tamil Nadu was the capital of Pallavas.

45. (A) Indira Gandhi Canal originated from Harike barrage at Sultanpur on Sutlej but Ghaggar is a tributary of river Saraswati, which ends in the Thar Desert.
47. (C) Population density of Arunachal Pradesh is 13, Himachal Pradesh is 109, Meghalaya is 103, and Sikkim is 76. The state of Arunachal Pradesh has the lowest record of population density having just 17 per square kilometer.
50. (A) The Indian Veterinary Research Institute (IVRI) is the India's premier advanced research facility in the field of veterinary medicine and allied branches. At present, a DNA bank exists in Hyderabad. The headquarters of IVRI is located at Bareilly in Uttar Pradesh.

51. (B)



QR = a, PR = b and PQ = c (Given)

$$\text{Area of } \triangle ABC = \frac{1}{2} cp \quad \dots\dots(i)$$

$$\text{Again, area of triangle PQR} = \frac{1}{2} \times QR \times PR = \frac{1}{2} ab \quad \dots\dots(ii)$$

Equating equation (i) and (ii),

$$\frac{1}{2} \times cp = \frac{1}{2} ab$$

$$c = \frac{ab}{p} \quad \dots\dots(iii)$$

In right $\triangle PQR$,

$$PQ^2 = PR^2 + QR^2$$

$$c^2 = b^2 + a^2$$

$$\left(\frac{ab}{p}\right)^2 = b^2 + a^2 \quad \text{[using (iv)]}$$

$$\frac{a^2 b^2}{p^2} = b^2 + a^2$$

$$\frac{1}{p^2} = \frac{a^2 + b^2}{a^2 b^2}$$

$$\frac{1}{p^2} = \frac{a^2}{a^2 b^2} + \frac{b^2}{a^2 b^2}$$

$$\frac{1}{p^2} = \frac{1}{b^2} + \frac{1}{a^2}$$

$$\frac{1}{b^2} = \frac{1}{p^2} - \frac{1}{a^2}$$

52. (C) Let the cost price of one table be x and the cost price of one chair be y .

$$3x + 6y = 6000 \quad \dots(i)$$

$$3x \times \frac{115}{100} + 6y \times \frac{90}{100} = 6600$$

$$345x + 540y = 660000 \quad \dots(ii)$$

By multiplying equation (i) by 90 and subtract equation (i) from equation (ii),

$$345x + 540y - 270x - 540x = 660000 - 540000$$

$$75x = 120000$$

$$x = \frac{120000}{75} = ₹ 1600$$

∴ Cost price of one table = ₹ 1600

53. (D) $\frac{8}{9}$ of $\left(5\frac{1}{4} \div 2\frac{1}{3}$ of 4) \div $\left(8 \div \frac{2}{3}$ of $\frac{4}{5}$) of $\left(8 \times \frac{2}{3} \div \frac{4}{5}\right)$

$$= \frac{8}{9} \text{ of } \left(\frac{21}{4} \div \frac{28}{3}\right) \div \left(8 \div \frac{8}{15}\right) \text{ of } \left(8 \times \frac{2}{3} \times \frac{5}{4}\right)$$

$$= \frac{8}{9} \text{ of } \left(\frac{21}{4} \times \frac{3}{28}\right) \div \left(8 \times \frac{15}{8}\right) \text{ of } \left(\frac{20}{3}\right)$$

$$= \frac{8}{9} \text{ of } \frac{9}{16} \div 15 \text{ of } \frac{20}{3}$$

$$= \frac{1}{2} \times \frac{1}{100} = \frac{1}{200}$$

54. (C) $\sin^2 60^\circ \cos^2 45^\circ + 4 \tan^2 30^\circ + \frac{1}{2} \sin^2 30^\circ + 2 \cos 90^\circ$

$$= \left(\frac{\sqrt{3}}{2}\right)^2 \cdot \left(\frac{1}{\sqrt{2}}\right)^2 + 4 \times \left(\frac{1}{\sqrt{3}}\right)^2 + \frac{1}{2} \times \left(\frac{1}{2}\right)^2 + 2 \times 0$$

$$= \frac{3}{4} \times \frac{1}{2} + 4 \times \frac{1}{3} + \frac{1}{2} \times \frac{1}{4} + 0 = \frac{3}{8} + \frac{4}{3} + \frac{1}{8}$$

$$= \frac{9 + 32 + 3}{24} = \frac{44}{24} = \frac{11}{6}$$

55. (B) Let the total number of students in a class be 1000.

$$\text{Number of students who did not appear for the exam} = 1000 \times \frac{4}{100} = 40$$

$$\text{Number of students who appeared for the exam} = 1000 - 40 = 960$$

$$\text{Number of appeared students who could not pass the exam} = 960 \times \frac{10}{100} = 96$$

$$\text{Remaining students who passed the exam} = 960 - 96 = 864$$

$$\text{Number of students who only passed, but couldn't get distinction marks} = 864 \times \frac{50}{100} = 432$$

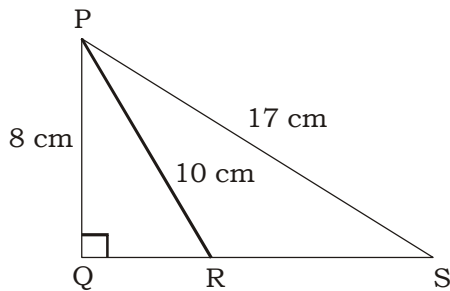
ATQ,

$$432 \rightarrow 1080$$

$$\therefore 1000 \rightarrow \frac{1080}{432} \times 1000 = 2500$$

Total number of students in a school = 2500

56. (D)



In right ΔPQR ,

$$QR = \sqrt{PR^2 - PQ^2} \quad (\text{By pythagoras theorem})$$

$$= \sqrt{10^2 - 8^2} = \sqrt{100 - 64} = \sqrt{36} = 6 \text{ cm}$$

Now, In right ΔPQS ,

$$QS = \sqrt{PS^2 - PQ^2} = \sqrt{17^2 - 8^2}$$

$$= \sqrt{289 - 64} = 15 \text{ cm}$$

$$\therefore RS = QS - QR = 15 - 6 = 9 \text{ cm}$$

57. (C) Difference of CI and SI = ₹ 432

$$\left[30000 \left(1 + \frac{R}{100} \right)^2 - 30000 \right] - \frac{30000 \times R \times 2}{100} = 432$$

Given that, P = ₹ 30000 and T = 2 years

$$30000 \left[1 + \left(\frac{R}{100} \right)^2 + \frac{2R}{100} \right] - 30000 - \frac{30000 \times R \times 2}{100} = 432$$

$$30000 + 30000 \times \frac{R^2}{10000} + \frac{30000 \times 2R}{100} - 30000 - \frac{30000 \times 2R}{100} = 432$$

$$3R^2 = 432$$

$$R^2 = 144$$

$$R = 12\%$$

58. (B) $\left(x + \frac{1}{x} \right)^3 = x^3 + \frac{1}{x^3} + 3 \times x \times \frac{1}{x} \left(x + \frac{1}{x} \right)$

$$\left(x + \frac{1}{x} \right)^3 = 52 + 3 \left(x + \frac{1}{x} \right)$$

From option (B),

if $x + \frac{1}{x} = 4$, then

$$(4)^3 = 52 + 3 \times 4$$

$$64 = 64$$

Hence, option (B) satisfies the equation.

So, correct option is 4.

59. (A)
$$\frac{\tan \theta}{1 + \sec \theta} - \frac{\tan \theta}{1 - \sec \theta}$$

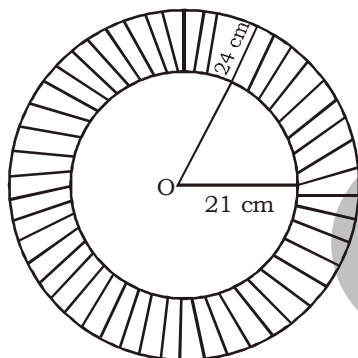
$$= \frac{\tan \theta(1 - \sec \theta) - \tan \theta(1 + \sec \theta)}{1 - \sec^2 \theta}$$

$$= \frac{\tan \theta(1 - \sec \theta - 1 - \sec \theta)}{-(\sec^2 \theta - 1)}$$

$$= \frac{\tan \theta(-2 \sec \theta)}{-\tan^2 \theta} = \frac{-2 \tan \theta \cdot \sec \theta}{-\tan^2 \theta}$$

$$= \frac{2 \sec \theta}{\tan \theta} = \frac{2 \times \cos \theta}{\sin \theta \cdot \cos \theta} = \frac{2}{\sin \theta}$$

60. (B)



Area of circular track = Area of bigger circle - Area of smaller circle

$$= \pi R^2 - \pi r^2 \quad (\because R = 24 \text{ cm and } r = 21 \text{ cm})$$

$$= \pi(R^2 - r^2) = \frac{22}{7}(24^2 - 21^2) = \left(\frac{22}{7} \times 45 \times 3\right) \text{ cm}^2$$

$$\therefore \text{Cost of levelling} = \frac{22}{7} \times 45 \times 3 \times 10.5 = ₹ 4455$$

61. (C)
$$\frac{ax - by}{(a + b)(x - y)} + \frac{by - cz}{(b + c)(y - z)} + \frac{cz - ax}{(c + a)(z - x)}$$

Let $\frac{x}{a} = \frac{y}{b} = \frac{z}{c} = k$ (say)

$x = ak, y = bk$ and $z = ck$

$$= \frac{a(ak) - b(bk)}{(a + b)(ak - bk)} + \frac{b(bk) - c(ck)}{(b + c)(bk - ck)} + \frac{c(ck) - a(ak)}{(c + a)(ck - ak)}$$

$$= \frac{a^2k - b^2k}{(a+b)(ak - bk)} + \frac{b^2k - c^2k}{(b+c)(bk - ck)} + \frac{c^2k - a^2k}{(c+a)(ck - ak)}$$

$$= \frac{k(a^2 - b^2)}{k(a+b)(a-b)} + \frac{k(b^2 - c^2)}{k(b+c)(b-c)} + \frac{k(c^2 - a^2)}{k(c+a)(c-a)}$$

$$= \frac{(a+b)(a-b)}{(a+b)(a-b)} + \frac{(b+c)(b-c)}{(b+c)(b-c)} + \frac{(c+a)(c-a)}{(c+a)(c-a)}$$

$$= 1 + 1 + 1 = 3$$

62. (A) Let the maximum marks be x.
ATQ,

$$x \times \frac{27}{100} + 26 = x \times \frac{42}{100} - 49$$

$$\frac{27x}{100} + 26 = \frac{42x}{100} - 49$$

$$\frac{42x}{100} - \frac{27x}{100} = 49 + 26$$

$$\frac{15x}{100} = 75$$

$$x = \frac{75 \times 100}{15} = 500$$

$$\therefore \text{Required minimum marks to pass} = 500 \times \frac{27}{100} + 26 = 161$$

63. (B) Let the distance be D km.
Speed of first trip = 80 km/hr

$$\text{Time for first trip} = \frac{D}{80} \text{ hours}$$

$$\text{Speed of second trip} = 40 \text{ km/hr}$$

$$\text{Time for second trip} = \frac{D}{40} \text{ hours}$$

$$\text{Speed of third trip} = 20 \text{ km/hr}$$

$$\text{Time for third trip} = \frac{D}{20} \text{ hours}$$

$$\text{Speed of fourth trip} = 10 \text{ km/hr}$$

$$\text{Time for fourth trip} = \frac{D}{10} \text{ hours}$$

$$\therefore \text{Average speed} = \frac{\text{Total distance}}{\text{Total time}} = \frac{D + D + D + D}{\frac{D}{80} + \frac{D}{40} + \frac{D}{20} + \frac{D}{10}}$$

$$= \frac{4D}{\frac{D + 2D + 4D + 8D}{80}} = \frac{4D}{\frac{15D}{80}} = \frac{4D \times 80}{15D} = 21\frac{1}{3} \text{ km/hr}$$

64. (B) A completes the work in 12 days.

A and B completes the work together in 8 days.

Let the total work = 24

$$\text{A completes the work in 1 days} = \frac{24}{12} = 2$$

$$\text{A and B complete the work in 1 day} = \frac{24}{8} = 3$$

B completes the work in 1 days = $3 - 2 = 1$

Ratio of efficiency of A and B = 2 : 1

$$\therefore \text{Share of B} = \frac{5190}{3} \times 1 = ₹ 1730$$

65. (C) Let the length of the rectangular field be l and breadth be b .

Area of the rectangular field = lb

Since length of a rectangular field is increased by 14 m and breadth is decreased by 6 m, still area remains the same

$$\text{Now, } lb = (l + 14)(b - 6)$$

$$14b - 6l = 84 \quad \dots\dots(i)$$

Again the length is decreased by 14 m and breadth is increased by 10 m, then also area remains the same

$$\text{Now, } lb = (l - 14)(b + 10)$$

$$10l - 14b = 140 \quad \dots\dots(ii)$$

Adding equation (i) and (ii),

$$\text{We get, } 4l = 224$$

$$l = 56 \text{ m}$$

Putting the value of l in equation (i),

$$14b - 6 \times 56 = 84$$

$$14b = 84 + 336$$

$$\therefore b = \frac{420}{14} = 30 \text{ m}$$

66. (D) Amount of milk in vessel A = $16 \times \frac{3}{4} = 12$ litres

$$\text{Amount of milk in vessel B} = 25 \times \frac{80}{100} = 20 \text{ litres}$$

Total amount of milk in vessel C = $12 + 20 = 32$ litres

$$\therefore \text{Concentration of milk in vessel C} = \left(\frac{32}{50} \times 100 \right) \% = 64\%$$

67. (A) Ratio of profit of Ram and Rahim = 25000 : 35000 = 5 : 7

ATQ,

75% of profit is divided equally.

So, the difference between 25% of their profit is ₹ 130.

ATQ,

$$7 \times \frac{25}{100} - 5 \times \frac{25}{100} \rightarrow ₹130$$

$$\frac{7}{4} - \frac{5}{4} \rightarrow ₹130$$

$$\frac{1}{2} \rightarrow ₹130$$

$$1 \rightarrow ₹260$$

$$\therefore \text{Total profit} = (7 + 5) \times 260 = ₹3120$$

68. (C) $\frac{6x}{3x^2 + 4x + 1} = \frac{1}{4}$

$$3x^2 + 4x + 1 = 24x$$

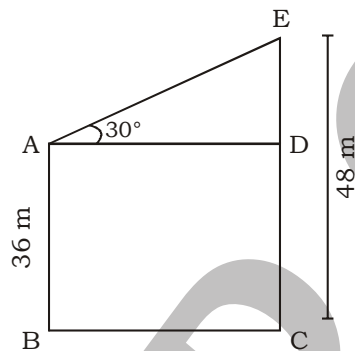
$$3x^2 + 1 = 20x$$

Now,

$$x + \frac{1}{3x} = \frac{3x^2 + 1}{3x} = \frac{20x}{3x} \quad (\because 3x^2 + 1 = 20x)$$

$$= \frac{20}{3}$$

69. (B)



Let AB and CE are two poles of height 36 m and 48 m respectively and AE is the length of wire.

$$DE = CE - AB = 48 - 36 = 12 \text{ m}$$

In $\triangle ADE$,

$$\sin 30^\circ = \frac{DE}{AE}$$

$$\frac{1}{2} = \frac{12}{AE}$$

$$AE = 12 \times 2 = 24 \text{ m}$$

\therefore Length of wire = 24 m

70. (A) Let the first term is a_1 and the common difference is d .

$$a_3 = a_1 + 2d = -15 \quad \dots(i)$$

$$a_6 = a_1 + 5d = -6 \quad \dots(ii)$$

Subtracting equation (i) from (ii),

$$a_1 + 2d - a_1 - 5d = -15 - (-6)$$

$$-3d = -9$$

$$d = 3$$

Put the value of d in equation (i),

$$a_1 + 2d = -15$$

$$a_1 + 2 \times 3 = -15$$

$$a_1 = -15 - 6 = -21$$

$$\therefore S_n = \frac{n}{2} [2a_1 + (n-1)d]$$

$$S_{16} = \frac{16}{2} [2 \times -21 + (16-1) \times 3]$$

$$= 8 \times [-42 + 45]$$

$$= 8 \times 3 = 24$$

71. (A) Profit percentage of company A in the year 2017 = $\left(\frac{7.5-6}{6} \times 100\right)\% = 25\%$

$$\text{Profit percentage of Company C in the year 2013} = 25 \times \frac{125}{100} = 31.25\%$$

$$\therefore \text{The Expenditure of company C in the year 2013} = \left(\frac{4.5}{131.25} \times 100\right) \approx ₹ 3.42 \text{ lakh}$$

72. (B) Profit of company A in the year 2013 = $\left[\frac{(5-2.50)}{2.50} \times 100\right]\% = 100\%$

$$\text{The expenditure of company B in the year 2015} = 2.50 \times \frac{100}{125} = ₹ 2 \text{ lakh}$$

$$\text{Profit of company B in the year 2015} = \left[\frac{(7-2)}{2} \times 100\right]\% = 250\%$$

$$\therefore \text{Required ratio} = 100 : 250 = 2 : 5$$

73. (C) $\frac{\text{Income of company B in the year 2016}}{\text{Expenditure of company B in the year 2016}} = \frac{5}{4}$

$$\frac{6.5}{\text{Expenditure of company B in 2016}} = \frac{5}{4}$$

$$\text{Expenditure of company B in the year 2016} = 6.5 \times \frac{4}{5} = ₹ 5.2 \text{ lakh}$$

$$\text{Expenditure of C in the year 2012} = 5.2 \times 0.5 = ₹ 2.6 \text{ lakh}$$

$$\therefore \text{Profit of company C in the year 2012} = \left[\frac{(6-2.6)}{2.6} \times 100\right]\% = 130.76\% \approx 131\%$$

74. (A) Expenditure of company B in the year 2013 = $\left(\frac{6}{120} \times 100\right) = ₹ 5 \text{ lakh}$

Expenditure of company A in the year 2018 = Expenditure of company B in the year 2013
= ₹ 5 lakh

Income of company A in the year 2018 = $5 \times \frac{160}{100} = ₹ 8 \text{ lakh}$

∴ Profit of company A in the year 2018 = $\left(\frac{8-5}{5} \times 100\right)\% = 60\%$

75. (D) Required percentage increase in the income of company A = $\left[\frac{(5.5-4)}{4} \times 100\right]\% = 37.5\%$

MEANINGS IN ALPHABETICAL ORDER

Absurdity	the quality or state of being ridiculous or wildly unreasonable	मूर्खता
Antipathy	a deep-seated feeling of dislike; aversion	घृणा
Apathy	lack of interest, enthusiasm, or concern	उदासीनता
Aversion	a strong dislike or disinclination	घृणा
Blaze	a very large or fiercely burning fire	ज्वाला
Brawl	a rough or noisy fight or quarrel	विवाद
Conjure	call upon (a spirit or ghost) to appear, by means of a magic ritual	जादू
Deception	the action of deceiving someone	धोखा
Despair	the complete loss or absence of hope	निराशा
Faint	(of a sight, smell, or sound) barely perceptible	बेहोश
Feeble	lacking physical strength, especially as a result of age or illness	कमजोर
Fitfully	not regularly or continuously; intermittently	उपयुक्त रूप से
Forbid	not allowed; banned	वर्जित
Loathing	a feeling of intense dislike or disgust; hatred	घृणा
Rage	violent, uncontrollable anger	क्रोध
Relevance	the quality or state of being closely connected or appropriate	प्रासंगिकता
Slander	the action or crime of making a false spoken statement damaging to a person's reputation	बदनामी
Staunch	loyal and committed in attitude	निष्ठावान
Steadfast	resolutely or dutifully firm and unwavering	दृढ़
Summon	authoritatively or urgently call on (someone) to be present, especially as a defendant or witness in a law court	गवाही के लिए बुलावा भेजना
Superficial	existing or occurring at or on the surface	सतही
Tangential	relating to or along a tangent	स्पर्शरेखा
Wavering	moving in a quivering way; flickering	दुलमुल

SSC MOCK TEST - 350 (ANSWER KEY)

- | | | | |
|---------|---------|---------|----------|
| 1. (C) | 26. (C) | 51. (B) | 76. (C) |
| 2. (A) | 27. (B) | 52. (C) | 77. (C) |
| 3. (D) | 28. (B) | 53. (D) | 78. (A) |
| 4. (C) | 29. (D) | 54. (C) | 79. (A) |
| 5. (B) | 30. (B) | 55. (B) | 80. (C) |
| 6. (D) | 31. (D) | 56. (D) | 81. (C) |
| 7. (A) | 32. (D) | 57. (C) | 82. (B) |
| 8. (B) | 33. (C) | 58. (B) | 83. (D) |
| 9. (B) | 34. (B) | 59. (A) | 84. (D) |
| 10. (C) | 35. (C) | 60. (B) | 85. (C) |
| 11. (C) | 36. (C) | 61. (C) | 86. (C) |
| 12. (A) | 37. (B) | 62. (A) | 87. (B) |
| 13. (B) | 38. (D) | 63. (B) | 88. (D) |
| 14. (B) | 39. (C) | 64. (B) | 89. (B) |
| 15. (A) | 40. (C) | 65. (C) | 90. (A) |
| 16. (A) | 41. (A) | 66. (D) | 91. (C) |
| 17. (B) | 42. (B) | 67. (A) | 92. (D) |
| 18. (B) | 43. (A) | 68. (C) | 93. (C) |
| 19. (A) | 44. (A) | 69. (B) | 94. (D) |
| 20. (D) | 45. (A) | 70. (A) | 95. (A) |
| 21. (D) | 46. (C) | 71. (A) | 96. (C) |
| 22. (D) | 47. (C) | 72. (B) | 97. (B) |
| 23. (C) | 48. (B) | 73. (C) | 98. (C) |
| 24. (D) | 49. (B) | 74. (A) | 99. (A) |
| 25. (A) | 50. (A) | 75. (D) | 100. (C) |

76. (C) Replace “for drive” with “for driving/to drive”. Generally preposition should be followed by V₄ form and when ‘to’ is the part of infinitive, it should be followed by the base form of the main verb.
77. (C) Use definite article ‘the’ before the name of ocean (the Atlantic Ocean)
90. (A) The correct spelling of 'Foreiner' is 'Foreigner'.
91. (C) The correct spelling of 'Florish' is 'Flourish'.