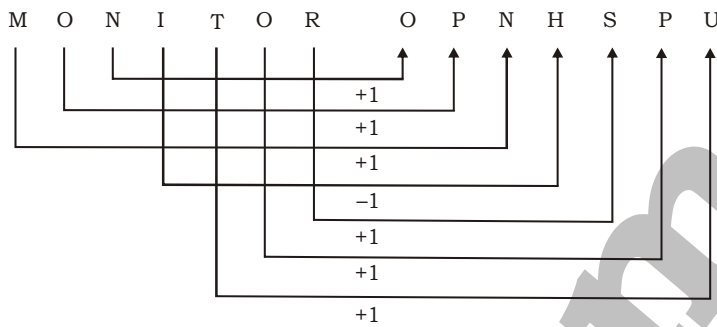
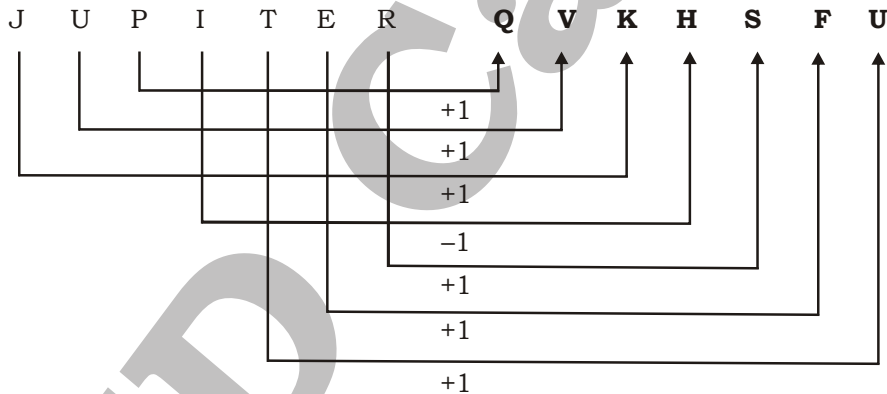


**SSC MOCK TEST - 367 (SOLUTION)**

1. (A) As,  
 $764 \Rightarrow (7 + 6 + 4) \times 3 = 51$   
 Similarly,  
 $876 \Rightarrow (8 + 7 + 6) \times 3 = 63$
2. (D) Cat has Paw, while Horse has Hoof.
3. (D) Except 327, others are divisible by 17.
4. (B) Except Sun, others are planet.
5. (B) As,



Similarly,

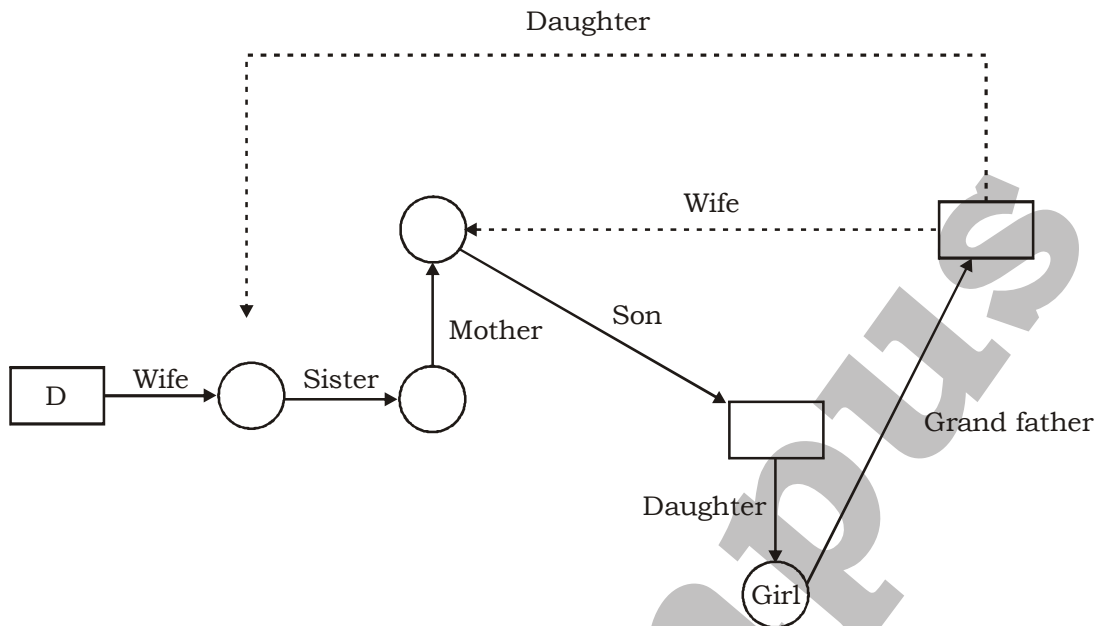


6. (C) 19      40      71      112      163      **224**  
 $+21$      $+31$      $+41$      $+51$      $+61$

7. (D) R    T    X    F    V  
 $+2$     $+4$     $+8$     $+16$

8. (A) As,  $274 + (2 + 7 + 4)^2 = 443$   
 $443 + (4 + 4 + 3)^2 = 564$   
 Similarly,  $123 + (1 + 2 + 3)^2 = 159$   
 $159 + (1 + 5 + 9)^2 = 384$

9. (A)



Thus, D's wife is daughter of paternal grandfather of girl.

10. (B) dklmo/dklmo/dklmo

11. (A)

12. (D) **In the first row,**

$$17 + 19 = 36 \Rightarrow 36 \times (3 \times 6) = 648$$

**In the second row,**

$$12 + 14 = 26 \Rightarrow 26 \times (9 \times 6) = 312$$

**In the third row,**

$$16 + 11 = 27 \Rightarrow 27 \times (2 \times 7) = 378$$

13. (C)  $74 + 18 \div 6 \times 3 - 4 + 5 = 111$

After changing the numbers,

$$74 + 18 \div 3 \times 6 - 4 + 5 = 111$$

$$74 + 36 - 4 + 5 = 111$$

$$115 - 4 = 111$$

$$111 = 111$$

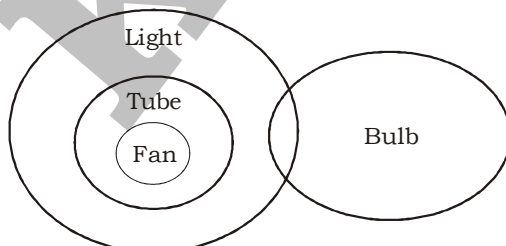
14. (C)

15. (A) 3. Buy  $\rightarrow$  2. Rinse  $\rightarrow$  4. Cut  $\rightarrow$  5. Cook  $\rightarrow$  1. Eat

16. (B) Order of increasing height will be :

$$R < S < A < K < M$$

17. (A)



I. True      II. False      III. True

Hence, both conclusions I and III follow.

18. (A)            19. (B)
20. (C) As,  $97 + (9 \times 7) = 160$   
 $160 + (1 \times 6 \times 0) = 160$   
 Similarly,  $63 + (6 \times 3) = 81$   
 $81 + (8 \times 1) = 89$
21. (A) As,  
 M O T O R  
 \$ \* @ \* #  
 And,  
 T R A I N  
 @ # & %  $\pi$   
 Similarly,  
 M O T I O N  
 \$ \* @ % \*  $\pi$
22. (B)            23. (D)            24. (D)            25. (A)
28. (C) After the incident there was national and international outrage on a large scale due to which the Government of Punjab was compelled to create a 'Disorder Inquiry Committee'. This committee is also known as the Hunter committee as it was headed by Lord William Hunter, Senator of the College of Justice in Scotland.
29. (B) The Great Temple of Abu Simbel was dedicated to the Sun God. A most remarkable feature of the temple was that the rays of the rising sun shone into the temple, so it has been called the 'temple of the rising sun'.
32. (B) Plantation is a type of commercial farming. In this type of farming, a single crop is grown on a large area. The plantation has an interface of agriculture and industry. Plantations cover large tracts of land, using capital intensive inputs, with the help of migrant labourers. All the produce is used as raw material in respective industries. In India, tea, coffee, rubber, sugarcane, banana, cashew, oil palm, coconut, spices etc are important plantation crops.
34. (B) The speed of light will be minimum while passing through glass because the optical density of glass is very high .
36. (C) Akbar was the first Muslim ruler to coordinate the Haj Pilgrimage at the expense of the state and provide pilgrims with subsidies.
39. (A) The 'sphinx' is a mythological animal with the body of a lion and the head of man. Each sphinx was carved out of a single solid stone.
40. (B) The Pacific Ocean is the largest and deepest of the world ocean basins. Covering approximately 63 million square miles and containing more than half of the free water on Earth, the Pacific is by far the largest of the world's ocean basins.
41. (B) The urban population of the world is growing faster than its rural population. This is mainly because of rural-urban migration. Rural-urban migration is the movement of people from the countryside to the city.
42. (B) Narain joined with other opposition parties to form the Janata alliance to face Mrs. Gandhi's Congress party. Narain once again stood against her from the Rae Bareilly constituency. He defeated her with a margin of more than fifty thousand votes.

43. (D) When a bullet is fired from a gun, the gun exerts a force on the bullet in the forward direction. This force is called as the action force. The bullet also exerts an equal and opposite force on the gun in the backward direction. Therefore a gun recoils when a bullet is fired from it.
44. (C) Sodium thiosulphate  $\text{Na}_2\text{S}_2\text{O}_3 \cdot 5\text{H}_2\text{O}$  is extensively used as 'hypo' in photography because of its ability to dissolve out excess of silver salts in a photographic paper. It is thus used to fix the image on the paper.
45. (A) Spleen is called the graveyard of RBCs because after completion of lifespan, RBCs are destroyed in spleen where they are ingested by free macrophages. About 2.5 million of RBCs are destroyed in one second.
46. (D) Most remote controls send signals using infrared radiation, though some use radio waves instead. In infrared radiation TV and remote control have to be in straight line for functioning while in Radio waves TV can even be controlled from another room.
47. (B) The Grammy Award (stylized as GRAMMY, originally called Gramophone Award), or just Grammy, is an award presented by the US Recording Academy to recognize "Outstanding Achievement in the music industry" of the United States.
49. (B) As the name implies, a read-only memory (ROM) is a memory unit that performs the read operation only; it does not have a write capability.

51. (A) Speed of train relative to man =  $45 + 5 = 50 \text{ km/h} = 50 \times \frac{5}{18} = \frac{250}{18} \text{ m/s}$

Distance covered in 12 sec = Length of faster train =  $\frac{250}{18} \times 12 = \frac{500}{3} \text{ m}$

Speed of train =  $45 \times \frac{5}{18} = \frac{25}{2} \text{ m/s}$

So, distance covered in 18 sec = Length of train + Length of Platform =  $\frac{25}{2} \times 18 = 225 \text{ m}$

$\therefore$  Length of platform =  $225 - \frac{500}{3} = \frac{175}{3} = 58\frac{1}{3} \text{ m}$

52. (B) Downstream Speed of boat =  $\frac{84}{4} = 21 \text{ kmph}$

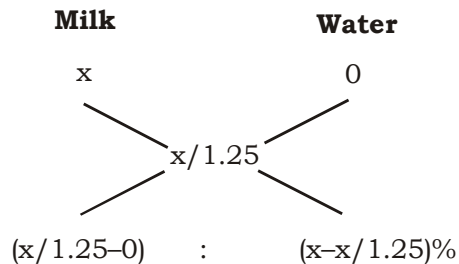
Upstream Speed of boat =  $\frac{84}{6} = 14 \text{ kmph}$

Speed of boat in still water =  $\frac{(21+14)}{2} = 17.5 \text{ kmph}$

Speed of current =  $\frac{(21-14)}{2} = 3.5 \text{ kmph}$

$\therefore$  Required ratio =  $17.5 : 3.5 = 5 : 1$

53. (C) Let the CP of 1 litre milk be = x  
 The SP of 1 litre milk = x  
 Profit = 25%



Hence, Ratio of milk to water =  $\left(\frac{x}{1.25}\right) : \left(\frac{0.25x}{1.25}\right) = \frac{1}{0.25} = 4:1$

54. (B) (A + B)'s 1 days work =  $\frac{1}{10}$

C's 1 days work =  $\frac{1}{50}$

(A + B + C)'s 1 days work =  $\left(\frac{1}{10} + \frac{1}{50}\right) = \frac{3}{25}$  .....(I)

A's 1 day's work = (B + C)'s 1 day's work = .....(II)

From I and II, we get  $2 \times (\text{A's 1 day's work}) = \frac{3}{25}$

Therefore, A's 1 day's work =  $\frac{3}{50}$

B's 1 day's work =  $\left(\frac{1}{10} + \frac{3}{50}\right) = \frac{2}{50} = \frac{1}{25}$

So, B alone can do the work in 25 days.

55. (B) Let one of the number be x  $\Rightarrow$  the other number is 45 - x.

$x^2 - (45 - x)^2 = 675$

$x^2 - 2025 + 90x - x^2 = 675$

$90x = 2700$

$\therefore$  The number are 30 and 15.

56. (C) HCF of 1404, 2364 and 2496

= HCF of (2364 - 1404, 2496 - 2364)

= HCF = (960, 132) = 12

$\therefore$  Number of bottles needed =  $\frac{1404}{12} + \frac{2364}{12} + \frac{2496}{12}$

= 117 + 197 + 208 = 522 bottles

57. (D) Given  $a - b = 4$  and  $a^3 - b^3 = 88$   
 We know,  $a^3 - b^3 = (a - b)(a^2 + b^2 + ab)$   
 $88 = 4 \times (a^2 + b^2 + ab)$   
 $(a^2 + b^2 + ab) = 22$   
 $(a^2 + b^2 + 3ab - 2ab) = 22$   
 $(a^2 + b^2 - 2ab + 3ab) = 22$   
 $(a - b)^2 + 3ab = 22$

58. (D)  $\frac{(177^{168} + 19)}{176} = \frac{(177^{168})}{176} + \frac{19}{176}$

We will first evaluate remainder of  $\frac{(177^{168})}{176}$

$$\frac{(177^{168})}{176} = \frac{(177 + 1)^{168}}{176} = \frac{{}^n C_0 (176)^{168} + {}^n C_1 (176)^{167} \dots + {}^n C_{n-1} (176) + {}^n C_n}{176}$$

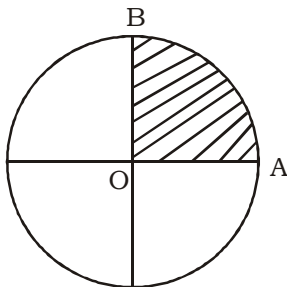
Every term in the expansion is divisible by 176 except the last term i.e. 1.

So, remainder =  $\frac{(177^{168})}{176} = 1$

Now, Remainder =  $\frac{19}{176} = 19$

Hence, Remainder when  $(177^{168} + 19)$  is divisible by 176 =  $1 + 19 = 20$

59. (B)



If the radius of circle be  $r$  cm, then Perimeter of quadrant OAB,

$$= OA + \widehat{AB} + OB$$

$$= r + \frac{2\pi r}{4} + r = \frac{\pi r}{2} + 2r$$

$$\therefore \frac{\pi r}{2} + 2r = 75$$

$$r = \left( \frac{\pi}{2} + 2 \right) = 75$$

$$r = \left( \frac{22}{7 \times 2} + 2 \right) = 75$$

$$r = \frac{75 \times 14}{50} = 21 \text{ cm}$$

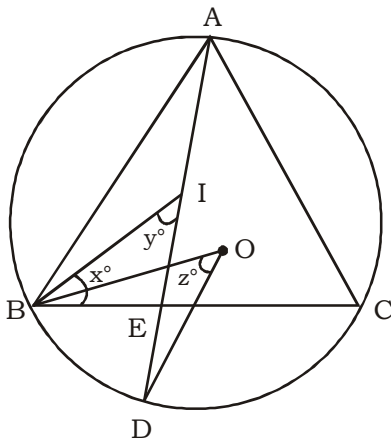
Required area of the piece of paper in the shape of Quadrant of circle =  $\frac{\pi r^2}{4}$

$$= \left( \frac{22}{7 \times 4} \times 21 \times 21 \right) \text{sq.cm.} = 346.5 \text{ sq.cm.}$$

60. (D) 
$$\frac{5 \sin A - 2 \cos A}{4 \cos A - \frac{5}{7} \sin A} = \frac{\cos A \left( 5 \frac{\sin A}{\cos A} - 2 \right)}{\cos A \left( 4 - \frac{5 \sin A}{7 \cos A} \right)}$$

$$= \frac{5 \tan A - 2}{4 - \frac{5}{7} \tan A} = \frac{5 \times \frac{21}{20} - 2}{4 - \frac{5}{7} \times \frac{21}{20}} = \frac{\frac{13}{20} \times 5}{\frac{13}{4}} = 1$$

61. (A)



$\angle BAD = \frac{1}{2} \angle BOD$  (Angle formed by chord at circumference of a circle is half of the angle formed by it at the centre of the circle).

$$\angle BAD = \frac{z}{2} \dots\dots(i)$$

In  $\triangle ABE$ ,

$$\angle EAB + \angle ABE + \angle BAE = 180^\circ \text{ (Angle sum property of } \Delta \text{)}$$

$$\frac{z}{2} + x^\circ + \angle BAE = 180^\circ \quad (\because \angle EAB = \angle BAD)$$

$$\angle BAE = 180^\circ - \frac{z}{2} - x^\circ \dots\dots(ii)$$

As, I is incentre, thus BI is the angle bisector.

$$\angle IBE = \frac{1}{2} \angle ABE$$

$$\angle IBE = \frac{x}{2}$$

Now, In  $\triangle IBE$ ,

$$\angle IBE + \angle BEI + \angle EIB = 180^\circ \text{ (Angle sum property of } \Delta \text{)}$$

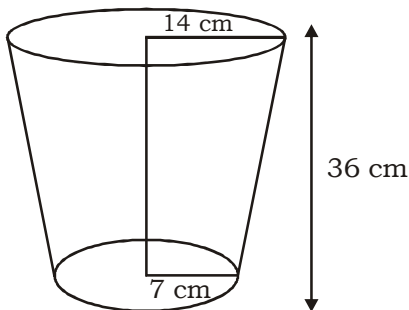
$$\frac{x}{2} + \left(180^\circ - \frac{z}{2} - x^\circ\right) + y^\circ = 180^\circ \quad (\because \angle BEI = \angle BEA)$$

$$y^\circ = \frac{x}{2} + \frac{z}{2}$$

$$y^\circ = \frac{x+z}{2}$$

$$\therefore \frac{x+z}{y} = 2$$

62. (C)



$$\text{Volume of bucket} = \frac{1}{3} \pi h (R^2 + r^2 + Rh)$$

where,  $R = 14$  cm,  $r = 7$  cm and  $h = 36$  cm

$$= \frac{1}{3} \times \frac{22}{7} \times 36 (14^2 + 7^2 + 14 \times 7)$$

$$= \frac{1}{3} \times \frac{22}{7} \times 36 (196 + 49 + 98)$$

$$= \frac{1}{3} \times \frac{22}{7} \times 36 \times 343 = 12936 \text{ cm}^3$$

63. (B) Pipe A can fill the cistern in 15 minutes

Pipe B can fill the cistern in 18 minutes

Let the capacity of cistern = 90 litres

$$\text{Pipe A can fill the cistern in 1 minute} = \frac{90}{15} = 6 \text{ litres}$$

$$\text{Pipe B can fill the cistern in 1 minute} = \frac{90}{18} = 5 \text{ litres}$$

$$\text{Pipe (A + B) can fill the cistern in 3 minutes} = (6 + 5) \times 3 = 33 \text{ litres}$$

$$\text{Remaining part} = 90 - 33 = 57 \text{ litres}$$

$$\therefore \text{Time taken by B to fill the remaining cistern} = \frac{57}{5} \text{ minutes} = 11 \frac{2}{5} \text{ minutes}$$



64. (C) Taking  $\frac{xy - 1}{y} = \frac{yz - 1}{z}$

$$xyz - z = y^2z - y$$

$$y^2z = xyz + y - z \quad \dots\dots(i)$$

Taking  $\frac{xy - 1}{y} = \frac{xz - 1}{x}$

$$x^2y - x = xyz - y$$

$$x^2y = xyz + x - y \quad \dots\dots(ii)$$

Taking  $\frac{yz - 1}{z} = \frac{xz - 1}{x}$

$$xyz - x = xz^2 - z$$

$$xz^2 = xyz + z - x \quad \dots\dots(iii)$$

$$\therefore \frac{x}{z} + \frac{y}{x} + \frac{z}{y} = \frac{x^2y + y^2z + z^2x}{xyz}$$

Substituting from (i), (ii) and (iii)

$$= \frac{xyz + x - y + xyz + y - z + xyz + z - x}{xyz} = \frac{3xyz}{xyz} = 3$$

65. (D) Let the cost price of 1 litres milk = ₹ 1

Selling price of 1 litre of milk = ₹ 1

Profit = 20%

Now, cost price of 1 litre milk =  $\left(\frac{100}{120} \times 1\right) = ₹ \frac{5}{6}$

By the rule of alligation,

Ratio of milk to water =  $\frac{5}{6} : \frac{1}{6} = 5 : 1$

$\therefore$  Percentage of water in the mixute =  $\left(\frac{1}{6} \times 100\right)\% = 16\frac{2}{3}\%$

66. (A) Principal = ₹ 45000

Rate = 20%

Amount at the end of 1<sup>st</sup> year =  $45000 \times \left(1 + \frac{20}{100}\right)^1 = 45000 \times \frac{120}{100} = ₹ 54000$

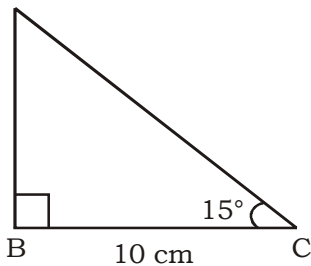
Remaining principal =  $54000 - 12000 = ₹ 42000$

Amount at the end of 2<sup>nd</sup> year =  $42000 \left(1 + \frac{20}{100}\right) = 42000 \times \frac{120}{100} = ₹ 50400$

Remaining principal =  $50400 - 12000 = ₹ 38400$

Amount she has to pay at the end of 3<sup>rd</sup> year =  $38400 \left(1 + \frac{20}{100}\right) = 38400 \times \frac{120}{100} = ₹ 46080$

67. (B) A



Let AB is the wall and AC is the ladder.

In  $\triangle ABC$ ,

$$\cos 15^\circ = \frac{BC}{AC}$$

$$\cos 15^\circ = \frac{10}{AC}$$

$$AC = \frac{10}{\cos 15^\circ}$$

Now,  $\cos 15^\circ = \cos (45^\circ - 30^\circ)$

$$\cos 15^\circ = \cos 45^\circ \cos 30^\circ + \sin 45^\circ \sin 30^\circ$$

$$\cos 15^\circ = \left( \frac{1}{\sqrt{2}} \times \frac{\sqrt{3}}{2} + \frac{1}{\sqrt{2}} \times \frac{1}{2} \right)$$

$$\cos 15^\circ = \frac{\sqrt{3}}{2\sqrt{2}} + \frac{1}{2\sqrt{2}} = \frac{\sqrt{3}+1}{2\sqrt{2}}$$

$$AC = \frac{10}{\frac{\sqrt{3}+1}{2\sqrt{2}}} = \frac{20\sqrt{2}}{\sqrt{3}+1} \times \frac{\sqrt{3}-1}{\sqrt{3}-1}$$

$$= \frac{20\sqrt{6} - 20\sqrt{2}}{2} = \frac{20(\sqrt{6} - \sqrt{2})}{2} = 10(\sqrt{6} - \sqrt{2})\text{m}$$

68. (C) A(5, -3)                      B(-2, 1)

Slope of line passing through the points A (5, -3) and B (-2, 1)

$$= \frac{y_2 - y_1}{x_2 - x_1} = \frac{1 - (-3)}{-2 - 5} = \frac{1+3}{-7} = \frac{-4}{7}$$

69. (D) The number divides 399, 434 and 537 leaving the remainder 8, 9 and 10.

So, that number will divide (399 - 8), (434 - 9) and (537 - 10) completely.

Now, the greatest number that will divide 391, 425 and 527 completely is the HCF of these numbers.

HCF of 391, 425 and 527

$$391 = 17 \times 23$$

$$425 = 5 \times 5 \times 17$$

$$527 = 17 \times 31$$

$\therefore$  Required HCF = 17

70. (A) A invest  $\frac{1}{3}$ <sup>rd</sup> of capital.

B invest  $\frac{1}{5}$ <sup>th</sup> of capital.

C invest =  $1 - \left(\frac{1}{3} + \frac{1}{5}\right) = \frac{7}{15}$  of capital

Ratio of their profit =  $\frac{1}{3} \times \frac{1}{3} : \frac{1}{5} \times \frac{1}{5} : 1 \times \frac{7}{15} = \frac{1}{9} : \frac{1}{25} : \frac{7}{15} = 25 : 9 : 105$

Total profit = ₹ 25020

∴ Profit of B =  $\frac{25020}{(9 + 25 + 105)} \times 25 = \frac{25020}{139} \times 25 = ₹ 4500$

71. (D)  $a^4 + a^2b^2 + b^4 = 64$

$$(a^2) + (b^2)^2 + 2a^2b^2 - a^2b^2 = 64$$

$$(a^2 + b^2)^2 - (ab)^2 = 64$$

$$(a^2 - ab + b^2)(a^2 + ab + b^2) = 64 \quad [\because x^2 - y^2 = (x + y)(x - y)]$$

$$4 \times (a^2 + ab + b^2) = 64$$

$$a^2 + ab + b^2 = \frac{64}{4} = 16 \quad \dots\dots(i)$$

$$a^2 - ab + b^2 = 4 \quad \dots\dots(ii)$$

Subtract equation (ii) from (i),

$$a^2 + ab + b^2 = 16$$

$$-a^2 - ab + b^2 = 4$$

---


$$2ab = 20$$

$$ab = 10$$

72. (B) Total amount of expenditure = 100%

Expenditure on transport = 12.5%

Required answer =  $\frac{100}{12.5} = 8$  times

73. (C) Total expenditure incurred on salary and interest =  $(20 + 17.5)\% = 37.5\%$

Total expenditure on infrastructure and transport =  $(20 + 12.5)\% = 32.5\%$

Required ratio =  $(37.5 : 32.5) = 15 : 13$

74. (B) Percentage of expenditure on salary = 20%

20% = 2.8 crores

$100\% = \left(\frac{2.8}{20} \times 100\right)$  crores = 14 crores

Difference between expenditure incurred on advertisement and tax =  $(15 - 10)\% = 5\%$

100% = 14 crores

$5\% = \left(\frac{140000000}{100} \times 5\right) = ₹ 70$  lakhs

75. (B) Required % =  $\left(\frac{20 - 5}{20} \times 100\right)\% = \left(\frac{15}{20} \times 100\right)\% = 75\%$

## MEANINGS IN ALPHABETICAL ORDER

Autonomy	the right or condition of self-government	स्वशासन
Breed	a stock of animals or plants within a species having a distinctive appearance	नस्ल
Broach	raise (a sensitive or difficult subject) for discussion	एक संवेदनशील विषय पर चर्चा छेड़ देना
Broad	having an ample distance from side to side; wide	विस्तृत
Constituent	a component part of something	घटक
Confer	grant or bestow (a title, degree, benefit, or right)	उपाधि प्रदान करना
Confide	tell someone about a secret or private matter	गुप्त बात कहना
Confined	limited to a certain extent	सीमित
Concede	admit that something is true or valid	स्वीकार करना
Desultory	lacking a plan, purpose, or enthusiasm	असंगत
Dung	the excrement of animals	गोबर
Eliminate	completely remove or get rid of something	उन्मूलन करना
Exemplary	serving as a desirable model	अनुकरणीय
Faecal	relating to the solid waste passed out of the body of a human or animal through the bowels	मल-मूत्र संबंधी
Feign	pretend to be affected by (a feeling, state, or injury)	बहाना करना
Hazard	a danger or risk	खतरा
Immaculate	perfectly clean, neat, or tidy	बेदाग
Magnitude	the great size or extent of something	परिमाण, मात्रा
Parity	the state or condition of being equal	समता
Parasites	an organism that lives in or on another organism (its host) and benefits by deriving nutrients at the host's expense.	परजीवी
Pathogens	a bacterium, virus, or other microorganism that can cause disease	एक जीवाणु, वायरस या अन्य सूक्ष्मजीव जिनसे बीमारी फैलती है
Privy	informed of something secret or private	किसी गूढ़ बात से परिचित
Sprout	a shoot of a plant	अंकुर
Sterilised	something made free from bacteria or other living microorganisms	कीटाणुरहित
Valour	great courage in the face of danger	साहस
Venerable	accorded a great deal of respect	आदरणीय
Visceral	of or relating to the viscera	आंत संबंधी

**SSC MOCK TEST - 367 (ANSWER KEY)**

- |         |         |         |          |
|---------|---------|---------|----------|
| 1. (A)  | 26. (B) | 51. (A) | 76. (B)  |
| 2. (D)  | 27. (C) | 52. (B) | 77. (D)  |
| 3. (D)  | 28. (C) | 53. (C) | 78. (C)  |
| 4. (B)  | 29. (B) | 54. (B) | 79. (B)  |
| 5. (B)  | 30. (A) | 55. (B) | 80. (D)  |
| 6. (C)  | 31. (A) | 56. (C) | 81. (A)  |
| 7. (D)  | 32. (B) | 57. (D) | 82. (A)  |
| 8. (A)  | 33. (D) | 58. (D) | 83. (A)  |
| 9. (A)  | 34. (B) | 59. (B) | 84. (B)  |
| 10. (B) | 35. (B) | 60. (D) | 85. (B)  |
| 11. (A) | 36. (C) | 61. (A) | 86. (A)  |
| 12. (D) | 37. (B) | 62. (C) | 87. (D)  |
| 13. (C) | 38. (C) | 63. (B) | 88. (B)  |
| 14. (C) | 39. (A) | 64. (C) | 89. (D)  |
| 15. (A) | 40. (B) | 65. (D) | 90. (C)  |
| 16. (B) | 41. (B) | 66. (A) | 91. (A)  |
| 17. (A) | 42. (B) | 67. (B) | 92. (C)  |
| 18. (A) | 43. (D) | 68. (C) | 93. (D)  |
| 19. (B) | 44. (C) | 69. (D) | 94. (C)  |
| 20. (C) | 45. (A) | 70. (A) | 95. (D)  |
| 21. (A) | 46. (D) | 71. (D) | 96. (A)  |
| 22. (B) | 47. (B) | 72. (B) | 97. (A)  |
| 23. (D) | 48. (D) | 73. (C) | 98. (B)  |
| 24. (D) | 49. (B) | 74. (B) | 99. (C)  |
| 25. (A) | 50. (C) | 75. (B) | 100. (A) |

76. (B) Replace 'his' by 'their' as it comes for its antecedent 'those players'.
77. (D) No error
79. (B) 'Brood over' means 'to worry anxiously or be despondent about something or someone'.
86. (A) Change 'the riches' into 'the rich'. 'Riches' means 'money'.
87. (D) No improvement
90. (B) The correct spelling of 'Beleive' is 'Believe'.
91. (B) The correct spelling of 'Anearobic' is 'Anaerobic'.