

**Answer-key & Solution**

**SSC JE (CIVIL)**  
**Practice Set-14**

1. C	26. C	51. B	76. D	101. B	126. C	151. A	176. C
2. D	27. A	52. B	77. D	102. A	127. A	152. D	177. C
3. D	28. A	53. C	78. A	103. D	128. C	153. C	178. D
4. A	29. D	54. D	79. B	104. C	129. A	154. A	179. A
5. B	30. D	55. D	80. C	105. A	130. A	155. A	180. A
6. B	31. C	56. C	81. B	106. C	131. A	156. D	181. D
7. B	32. D	57. B	82. A	107. A	132. D	157. A	182. A
8. B	33. C	58. C	83. A	108. D	133. A	158. A	183. A
9. C	34. B	59. B	84. A	109. A	134. C	159. B	184. A
10. C	35. A	60. A	85. B	110. D	135. B	160. D	185. D
11. A	36. A	61. C	86. A	111. D	136. A	161. C	186. D
12. D	37. B	62. A	87. C	112. C	137. D	162. D	187. C
13. A	38. C	63. A	88. B	113. C	138. B	163. A	188. C
14. D	39. B	64. B	89. B	114. B	139. D	164. B	189. C
15. A	40. C	65. A	90. B	115. D	140. C	165. D	190. D
16. C	41. D	66. C	91. B	116. B	141. B	166. B	191. B
17. B	42. C	67. A	92. A	117. B	142. A	167. A	192. A
18. C	43. B	68. D	93. A	118. C	143. A	168. A	193. C
19. D	44. B	69. D	94. A	119. B	144. A	169. A	194. B
20. A	45. A	70. A & D	95. D	120. B	145. D	170. B	195. A
21. D	46. C	71. D	96. B	121. A	146. C	171. A	196. C
22. B	47. A	72. A	97. C	122. A	147. D	172. B	197. D
23. D	48. D	73. D	98. B	123. C	148. A	173. A	198. C
24. B	49. D	74. B	99. B	124. B	149. C	174. B	199. C
25. D	50. D	75. B	100. C	125. B	150. C	175. C	200. B

**Note :** *If your opinion differ regarding any answer, please message the mock test and Question number to 8375805483*

**Note :** *If you face any problem regarding result or marks scored, please contact : 9313111777*

**SOLUTION SSC JE (CIVIL) Practice Set-14**

1. (C)

A	B	C	D	E
225	256	<b>121</b>	289	324
↓	↓	↓	↓	↓
15 <sup>2</sup>	16 <sup>2</sup>	11 <sup>2</sup>	17 <sup>2</sup>	18 <sup>2</sup>
↑	↑	↑	↑	↑
+1	+1	+1	+1	+1

2. (D) February month has 28 or 29 days.

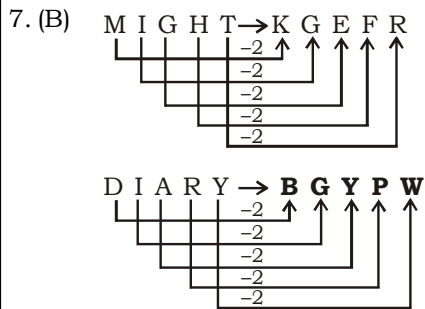
3. (D) Cost price of 1 kg wheat =  $\frac{384}{16}$   
 = ₹ 24/kg  
 ∴ Cost price of 90 kg wheat =  $24 \times 90$   
 = ₹ 2160

4. (A) The value after exchange

3	6	5	4	1	9
↓	↓	↓	↓	↓	↓
9	2	8	1	4	3

5. (B) STENT

6. (B) 3 (2) (9) → GOD (is) (LOVE)  
 (9) (2) 7 → (LOVE) (is) BEAUTIFUL



8. (B)  $(4 \times 36) \div 12 = 12$   
 $(13 \times 13) \div 13 = 13$   
 $(8 \times 32) \div 16 = 16$

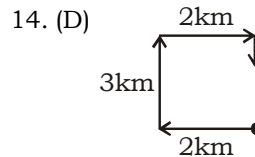
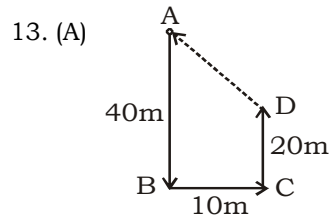
9. (C)  $5 \times 4 \times 8 = 160$   
 $7 \times 8 \times 6 = 336$   
 Similarly,  
 $9 \times 2 \times x = 108$   
 $18x = 108$   
 $x = 108 \div 18 = 6$

10. (C)  $6 + 5 + 7 + 3 = 21$   
 $7 + 3 + 8 + 3 = 21$   
 $4 + 5 + 6 + 6 = 21$

11. (A)  $5 \times 3 \div 3 - 5 = 0$   
 $5 \times 1 - 5 = 0$   
 $5 - 5 = 0$

12. (D)  $70 \times 7 - 113 + 13 = 390$   
 $= 490 - 113 + 13 = 390$   
 $= 490 + 13 - 113 = 390$

$= 503 - 113 = 390$   
 $= 390 = 390$



15. (A)

16. (C) Cataract : Eye :: Pneumonia : **Lungs**  
 Affected part ↑ Affected part ↑

17. (B) 18. (C)

19. (D) T T T : 7 7 7 :: R R R : 9 9 9  
 Reverse of the English Alphabet ↑ Reverse of the English Alphabet ↑

20. (A) C : I :: D : L  
 ↓ ↓ ↓ ↓  
 3 9 4 12  
 $(3 \times 4) - 3$  ↑  $(4 \times 4) - 4$  ↑

21. (D) YAD : NUS :: **THGIN** : NOOM  
 ↓ ↓  
 SUNDAY :: MOONNIGHT

22. (B) 27 : 3 :: 873 : **97**  
 ↑ ↑  
 +9 +9

23. (D) 6 : 34 :: 9 : **79**  
 ↑ ↑  
 $6^2 - 2$   $9^2 - 2$

24. (B)  $352 \Rightarrow 3 \times 5 \times 2 = 30$   
 $296 \Rightarrow 2 \times 9 \times 6 = 108$   
 $628 \Rightarrow 6 \times 2 \times 8 = 96$

25. (D)

26. (C)

27. (A)

28. (A) Except option (A) all are perfect cubes.

29. (D) (A) 1876

$\Rightarrow 1 + 8 + 7 + 6 = 22$  (Even Number)

(B) 1984

$\Rightarrow 1 + 9 + 8 + 4 = 22$  (Even Number)

(C) 2024

KD  
**Campus**  
**K D Campus Pvt. Ltd**

**2007, OUTRAM LINES, 1ST FLOOR, NEAR GTB NAGAR METRO STATION, GATE NO. - 2, DELHI-110009**

- $\Rightarrow 2 + 0 + 2 + 4 = 8$  (Even Number)  
(D) 2014  
 $\Rightarrow 2 + 0 + 1 + 4 = 7$  (odd Number)
30. (D) (A) **3 — 9** (B) **5 — 25**  
 $\begin{array}{|c|} \hline \text{Square and} \\ \text{odd number} \\ \hline \end{array}$   $\begin{array}{|c|} \hline \text{Square and} \\ \text{odd number} \\ \hline \end{array}$
- (C) **7 — 49** (D) **8 — 64**  
 $\begin{array}{|c|} \hline \text{Square and} \\ \text{odd number} \\ \hline \end{array}$   $\begin{array}{|c|} \hline \text{Square and} \\ \text{even number} \\ \hline \end{array}$
31. (C) (A) **O H A** (B) **P I B**  
 $\begin{array}{|c|} \hline -7 \uparrow -7 \uparrow \\ \hline \end{array}$   $\begin{array}{|c|} \hline -7 \uparrow -7 \uparrow \\ \hline \end{array}$
- (C) **J Q C** (D) **R K D**  
 $\begin{array}{|c|} \hline +7 \uparrow -14 \uparrow \\ \hline \end{array}$   $\begin{array}{|c|} \hline -7 \uparrow -7 \uparrow \\ \hline \end{array}$
32. (D) (A) **D H F** (B) **K O M**  
 $\begin{array}{|c|} \hline +4 \uparrow -2 \uparrow \\ \hline \end{array}$   $\begin{array}{|c|} \hline +4 \uparrow -2 \uparrow \\ \hline \end{array}$
- (C) **R V T** (D) **W Y X**  
 $\begin{array}{|c|} \hline +4 \uparrow -2 \uparrow \\ \hline \end{array}$   $\begin{array}{|c|} \hline +2 \uparrow -1 \uparrow \\ \hline \end{array}$
33. (C) (A) **B D F H**  
 $\begin{array}{|c|} \hline +2 \uparrow +2 \uparrow +2 \uparrow \\ \hline \end{array}$
- (B) **J L N P**  
 $\begin{array}{|c|} \hline +2 \uparrow +2 \uparrow +2 \uparrow \\ \hline \end{array}$
- (C) **Y O I C**  
 $\begin{array}{|c|} \hline -10 \uparrow -6 \uparrow -6 \uparrow \\ \hline \end{array}$
- (D) **R T V X**  
 $\begin{array}{|c|} \hline +2 \uparrow +2 \uparrow +2 \uparrow \\ \hline \end{array}$
34. (B) 

Foundation	Floor	Window	Ventilator
2	3	1	4
Roof			
5			
35. (A) 

LEADEN	LEAF	LEAK	LEARNED
5	1	4	2
LEAVED			
3			
36. (A) 

Fan	Feast	Fish	Flesh	Fraud
2	4	1	3	5
37. (B) 

	+0		+0	
A	D	G	G	J
M	P	S	M	P
+3	+3	+3	+3	+3
38. (C) **A C F K R**  
 $\begin{array}{|c|} \hline +2 \uparrow +3 \uparrow +5 \uparrow +7 \uparrow \\ \hline \end{array}$
39. (B) **K H E, B Y V, S P M**  
 $\begin{array}{|c|} \hline -3 \uparrow -3 \uparrow -3 \uparrow -3 \uparrow -3 \uparrow \\ \hline \end{array}$
40. (C) **25 35 55 85 125**  
 $\begin{array}{|c|} \hline +10 \uparrow +10 \uparrow +10 \uparrow +10 \uparrow \\ \hline \end{array}$
41. (D)  
42. (C)  
43. (B)

45. (A) 

Red gram	Moong dal
Pulses	
46. (C)      47. (A)  
48. (D)      49. (D)
50. (D) B  $\rightarrow$  01, **11**, 21, 34, 43  
L  $\rightarrow$  06, 50, **66**, 75, 88  
A  $\rightarrow$  00, **12**, 21, 34, 43  
C  $\rightarrow$  02, 14, **20**, 33, 42  
K  $\rightarrow$  05, **57**, 67, 77, 80
136. (A) Plastic limit =  $40 - 20 = 20\%$   
168. (A) H.I. =  $79.100 + 2.330 = 81.43$   
R.L =  $81.43 - 0.680 = 80.75$
177. (C) Deflection at B = Deflection at C + slope at C  $\times (L - L_1)$
- $$= \frac{PL_1^3}{3EI} + \frac{PL_1^2}{2EI} \times (L - L_1)$$
- $$= \frac{PL_1^2}{2EI} \left( L - \frac{L_1}{3} \right)$$

