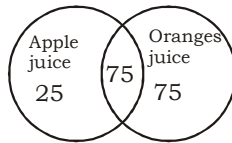


HSSC MOCK TEST - 134 (SOLUTION)

3. (C) Except Oliver twist, all others are written by william shakespeare.

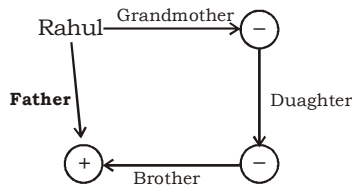
11. (D)



∴ The member of people who neither like apple juice nor orange juice = $400 - (25 + 75 + 75) = 225$

15. (D) Required mean = $\frac{n(n+1)}{2 \times n} = n + 1$

17. (B)



19. (A) As, bird flies in sky and fish in water. Similarly, Aeroplane flies in sky and **submarine** in water

20. (A) Let the time taken by larger diameter tap = x

ATQ,

$$\frac{1}{x} + \frac{1}{x+10} = \frac{8}{75}$$

$$\Rightarrow \frac{x+10+x}{x(x+10)} = \frac{8}{75}$$

$$\Rightarrow (2x+10)75 = 8x^2 + 80x$$

$$\Rightarrow 150x + 750 = 8x^2 + 80x$$

$$\Rightarrow 8x^2 - 70x - 750 = 0$$

$$\Rightarrow 4x^2 - 35x - 375 = 0$$

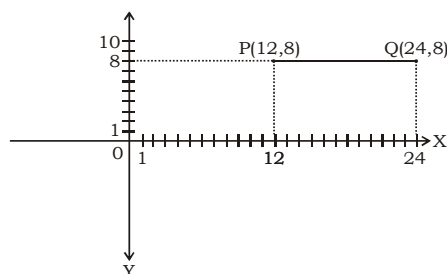
$$\Rightarrow 4x^2 - 60x + 25x - 375 = 0$$

$$\Rightarrow 4x(x-15) + 25(x-15) = 0$$

$$\Rightarrow x = 15 \text{ or } x = \frac{25}{4}$$

∴ Required time = $15 + 10 = 25$ hours

24. (A)



36. (B) ATQ,

$$2y - x = 3z - 2y \dots\dots(i)$$

$$\text{and, } \frac{y}{x} = \frac{z}{y} \dots\dots(ii)$$

$$\Rightarrow 4y = x + 3z$$

$$\Rightarrow \frac{4y}{yx} = \frac{x}{yx} + \frac{3z}{yx}$$

$$\Rightarrow \left(\frac{4}{x} = \frac{1}{y} + \frac{3}{x} \times \frac{z}{y}\right) \times y$$

$$\Rightarrow \frac{4y}{x} = 1 + \frac{3y^2}{x^2}$$

$$\text{Let, } \frac{y}{x} = a$$

$$\therefore 49 = 1 + 3a^2$$

$$\Rightarrow 3a^2 - 4a + 1 = 0$$

$$\Rightarrow 3a^2 - 39 - a + 1 = 0$$

$$\Rightarrow 39(a-1) - 1(a-1) = 0$$

$$\Rightarrow a = \frac{1}{3}$$

∴ Common ratio of G.P = $a = \frac{1}{x} = \frac{1}{3}$

41. (A) Only two numbers are possible at unit place digit (2 and 4) as we need even number. But ten's place all 5 are possible.

∴ Number of 2 digits even number = $2 \times 5 = 10$

45. (D) As, Z

↓

$$26 \Rightarrow 26 \times 2 = 52$$

$$\text{and, } \begin{matrix} A & C & I \\ \downarrow & \downarrow & \downarrow \\ 1+3+ & 20 = 24 & \downarrow 24 \times 2 = 48 \end{matrix}$$

$$\text{Similarly, } \begin{matrix} B & A & T \\ \downarrow & \downarrow & \downarrow \\ 2+1+ & 20 = 23 & \downarrow 23 \times 2 = 46 \end{matrix}$$

48. (A) As, Cat has paw, similarly Horse has **hoof**.

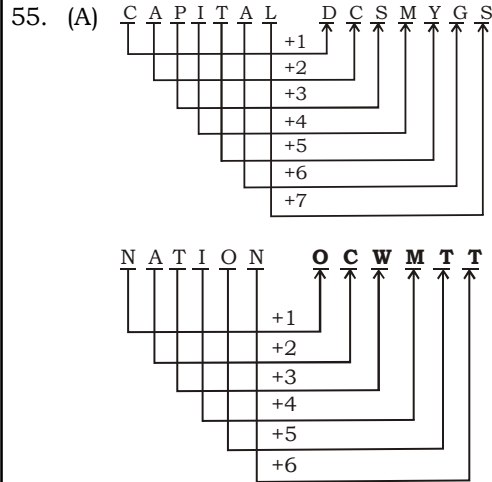
K D Campus Pvt. Ltd

PLOT NO. 2 SSI, OPP METRO PILLAR 150, GT KARNAL ROAD, JAHANGIRPURI DELHI: 110033

49. (D) $b^2 = 4al$

$\Rightarrow k^2 = 4 \times 2 \times 3$

$\Rightarrow k = 2\sqrt{6}$



56. (D) New mean = $\frac{6 \times 8 \times 3}{6} = 24$

70. (A) ATQ,

$ar^3 = (ar)^2$

$ar^3 = a^2r^2$

$r = a$

Given that,

$a = -3$

then, $r = -3$

$T_7 = ar^6$

$= (-3) (-3)^6 = (-3)^7 = -2187$

71. (D) As, $(2)^3 \Rightarrow (2)^3 + 1 = 28$

Similarly, $(3)^3 \Rightarrow (4)^3 + 1 = 65$

91. (C) Replace 'from' with 'since'.

As 'point of starting' is mentioned.

92. (C) Add 'of' or 'about' before the poor management.

As both objects require different prepositions.

MEANINGS IN ALPHABETICAL ORDER

Word	Meaning in English	Meaning in Hindi
Capricious	not logical or reasonable	मनमौजी
Specious	falsely appearing to be fair or right	उपर से अच्छा देखने वाला
Carcinogenic	a substance that causes cancer	कैंसर पैदा करने वाला पदार्थ
Capacious	able to held or contain a let	विशाल
Scorn	harsh criticism that shows a lack of respect	तिरस्कार
Fierce	very violent	क्रूर
Despise	to dislike (something or someone) very much	घृणा
Extricate	to free or remove (someone) from something (such as a difficult situation).	मुक्त करना
Purge	to remove (something or someone) from an area.	शुद्ध करना

HSSC MOCK TEST - 134 (ANSWER KEY)

- | | | | | | | | | | |
|---------|---------|---------|---------|---------|---------|---------|---------|---------|----------|
| 1. (B) | 11. (D) | 21. (C) | 31. (C) | 41. (A) | 51. (B) | 61. (B) | 71. (D) | 81. (D) | 91. (C) |
| 2. (B) | 12. (A) | 22. (D) | 32. (A) | 42. (C) | 52. (A) | 62. (A) | 72. (B) | 82. (A) | 92. (C) |
| 3. (C) | 13. (B) | 23. (A) | 33. (C) | 43. (C) | 53. (C) | 63. (A) | 73. (B) | 83. (A) | 93. (A) |
| 4. (C) | 14. (B) | 24. (A) | 34. (C) | 44. (B) | 54. (C) | 64. (D) | 74. (A) | 84. (B) | 94. (B) |
| 5. (A) | 15. (D) | 25. (B) | 35. (A) | 45. (D) | 55. (A) | 65. (B) | 75. (B) | 85. (D) | 95. (C) |
| 6. (C) | 16. (B) | 26. (B) | 36. (B) | 46. (C) | 56. (D) | 66. (C) | 76. (A) | 86. (D) | 96. (D) |
| 7. (B) | 17. (B) | 27. (C) | 37. (C) | 47. (A) | 57. (B) | 67. (C) | 77. (D) | 87. (C) | 97. (C) |
| 8. (C) | 18. (C) | 28. (B) | 38. (C) | 48. (C) | 58. (A) | 68. (C) | 78. (C) | 88. (D) | 98. (C) |
| 9. (D) | 19. (A) | 29. (A) | 39. (B) | 49. (D) | 59. (D) | 69. (A) | 79. (A) | 89. (A) | 99. (B) |
| 10. (A) | 20. (A) | 30. (B) | 40. (B) | 50. (D) | 60. (D) | 70. (A) | 80. (C) | 90. (D) | 100. (A) |