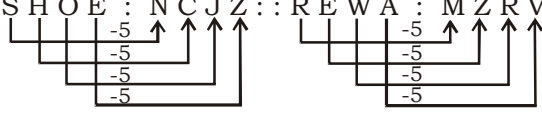
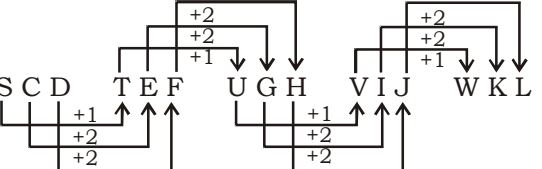
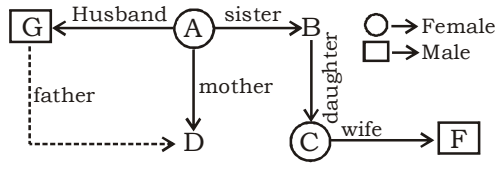


**HARYANA SSC MOCK TEST-20 (Solutions)**

1. (B)  $49 : 64 :: 144 : 169$   
 $\downarrow \quad \downarrow \quad \downarrow \quad \downarrow$   
 $(7)^2 \quad (8)^2 \quad (12)^2 \quad (13)^2$
2. (A)  $S H O E : N C J Z :: R E W A : M Z R V$   

3. (A) Jewellery is made by Gold similarly Furniture is made by wood.
4. (D) Except (D) all are opposite to each other.
5. (B) Except (B) all are cubes of a number  
 $729 \Rightarrow (9)^3$   
 $144 \Rightarrow (12)^2$   
 $343 \Rightarrow (7)^3$   
 $215 \Rightarrow (8)^3$
6. (D) Except (D) all are related to organs of sensation.
7. (A)  $S C D \quad T E F \quad U G H \quad V I J \quad W K L$   

8. (B)  $V \quad VIII \quad XI \quad XIV \quad XVII \quad XX$   
 $\downarrow +3 \quad \downarrow +3 \quad \downarrow +3 \quad \downarrow +3 \quad \downarrow +3 \quad \downarrow +3$
9. (D)  $\frac{\text{Crime}}{3} \quad \frac{\text{Police}}{1} \quad \frac{\text{Judge}}{4} \quad \frac{\text{Judgement}}{5} \quad \frac{\text{Punishment}}{2}$
10. (C) 
- G is father of D
11. (D)  $2 \times 3 \times 7 = (2)^2 (3)^2 (7)^2 \Rightarrow 4949$   
 $5 \times 9 \times 4 = (5)^2 (9)^2 (4)^2 \Rightarrow 258116$   
 Similarly,  
 $4 \times 6 \times 8 = (4)^2 (6)^2 (8)^2 \Rightarrow 163664$
12. (C)  $5 \times 1 = 5$   
 $6 \times 2 = 12$   
 $7 \times 3 = 21$   
 $8 \times 4 = 32$   
 $9 \times 5 = 45$
13. (A)  $3463 - 1245 = 2218$   
 $5324 - 3626 = 1698$
14. (A)
15. (A) Man sleep on bed but according to question bed is called window therefore man sleep on window

16. (A)  $(\sqrt{1+a} + \sqrt{1-a})^2 = (1+a) + (1-a) + 2\sqrt{1-a^2}$   
 $= 2\left(1 + \sqrt{1-\frac{3}{4}}\right) = 2\left(1 + \frac{1}{2}\right) = 3$   
 $\therefore (\sqrt{1+a} + \sqrt{1-a}) = \sqrt{3}$
17. (A) Kamal's 1 day work =  $\frac{1}{15}$   
 Bimal's day work = 150% of  $\frac{1}{15} = \frac{1}{10}$   
 Bimal can finish the work in 10 days.
18. (B) Let CP be ₹ 100.  
 Then,  
 SP = 90% of 80% of 70% of ₹ 100  
 $\Rightarrow ₹ \left(\frac{90}{100} \times \frac{80}{100} \times \frac{70}{100} \times 100\right) = ₹ 50.40$   
 $\therefore$  Single discount =  $(100 - 50.40)\%$   
 $= 49.6\%$
19. (C) 

lemons	₹
2	1
5	3

 $\text{gain}\% = \frac{6-5}{5} \times 100 = 20\%$
20. (C)  $A : B = \frac{1}{2} : \frac{3}{8} = \frac{4}{8} : \frac{3}{8}$   
 $B : C = \frac{1}{3} : \frac{5}{9} = \frac{3}{9} : \frac{5}{9}$   
 $C : D = \frac{5}{6} : \frac{3}{4} = \frac{10}{12} : \frac{9}{12}$   
 $A : B : C : D = 12 : 9 : 15 : 10 : 9$   
 $120 : 90 : 150 : 135$   
 $40 : 30 : 50 : 45$   
 $8 : 6 : 10 : 9$
21. (B)  $\frac{56}{8}$  and  $\frac{29}{8}$   
 $\downarrow$                        $\downarrow$   
 remainder = 0                      remainder = 5
22. (D)  $ax + by = 6$  ..... (1)  
 $bx - ay = 2$  ..... (2)  
 $x^2 + y^2 = 4$   
 Squaring eqn (1) and (2), we get  
 $a^2x^2 + b^2y^2 + 2abxy = 36$   
 $b^2x^2 + a^2y^2 - abxy = 4$

$$x^2(a^2 + b^2) + y^2(a^2 + b^2) = 40$$

$$(a^2 + b^2)(x^2 + y^2) = 40$$

$$a^2 + b^2 = \frac{40}{4} = 10$$

23. (A) Working on alternative days

$$(A + B)'s\ 2\ days\ work = \left(\frac{1}{12} + \frac{1}{18}\right) = \frac{5}{36}$$

$$(A + B)'s\ 2\ days\ work = \frac{5}{36}$$

$$(A + B)'s\ 14\ days\ work = \frac{5}{36} \times 7 = \frac{35}{36}$$

$$\text{Remaining work} = \left(1 - \frac{35}{36}\right) = \frac{1}{36}$$

Now, it is A's turn

$$\frac{1}{12}\ \text{work is done by A in 1 day.}$$

$$\frac{1}{36}\ \text{work is done by A in } \left(12 \times \frac{1}{36}\right)\ \text{day}$$

$$= \frac{1}{3}\ \text{day}$$

$$\text{Total time taken} = 14\frac{1}{3}\ \text{days.}$$

24. (A) MP = 690 and discount = 10%

$$\therefore SP = 90\% \text{ of } ₹\ 690 = ₹\ \left(\frac{90}{100} \times 690\right) = ₹\ 621$$

$$SP = ₹\ 621 \text{ and gains} = 8\%$$

$$SP = ₹\ \left(\frac{100}{108} \times 621\right) = ₹\ 575$$

$$CP = ₹\ 575, SP = ₹\ 690$$

$$\text{Gain}\% = \left(\frac{115}{575} \times 100\right)\% = 20\%$$

25. (A)

$$P = \text{diff} \times \left(\frac{100}{R}\right)^{\text{time}}$$

$$P = 65 \times \left(\frac{100}{10}\right)^2 = 65 \times 100 = ₹\ 6500$$

26. (C) Let the weight of fresh grapes be  $x$  kg.

$$\text{Quantity of water in it} = \left(\frac{80}{100} \times x\right)\ \text{kg}$$

$$= \frac{4x}{5}\ \text{kg}$$

$$\text{Quantity of pulp in it} = \left(x - \frac{4x}{5}\right)\ \text{kg}$$

$$= \frac{x}{5}\ \text{kg}$$

Quantity of water in 250 kg dry grapes

$$= \left(\frac{10}{100} \times 250\right) = 25\ \text{kg}$$

$$\therefore \frac{x}{5} = 225 \Rightarrow x = 1125$$

$$\text{Weight of fresh grapes} = 1125\ \text{kg}$$

27. (B)  $x + y + \frac{xy}{100}$

$$\Rightarrow 50 + 50 + \frac{(50 \times 50)}{100} = 125\%$$

28. (C)  $1, \frac{11}{10}, \frac{11}{100}, \frac{111}{1000}, \frac{111}{10000}$

$$= 1 + 1.1 + 0.11 + 0.111 + 0.0111$$

$$= 2.3321$$

29. (A)  $\sqrt[3]{.91125} \cdot \sqrt[3]{512}$

$$= \sqrt[3]{(.45) \times (.45) \times (.45)} \cdot \sqrt[3]{8 \times 8 \times 8}$$

$$= .45 \times 8 = 3.6$$

30. (C)  $2 \times 3 \times 3 \times 3 \times 5 \times 11$

$$= 2 \times 3^3 \times 5 \times 11$$



# K D Campus Pvt. Ltd

2007, OUTRAM LINES, 1ST FLOOR, OPPOSITE MUKHERJEE NAGAR POLICE STATION, DELHI-110009

## HARYANA SSC MOCK TEST - 20 (ANSWER KEY)

- |         |         |         |          |
|---------|---------|---------|----------|
| 1. (B)  | 26. (C) | 51. (D) | 76. (B)  |
| 2. (A)  | 27. (B) | 52. (D) | 77. (B)  |
| 3. (A)  | 28. (C) | 53. (A) | 78. (D)  |
| 4. (D)  | 29. (A) | 54. (B) | 79. (D)  |
| 5. (B)  | 30. (C) | 55. (D) | 80. (B)  |
| 6. (D)  | 31. (B) | 56. (D) | 81. (A)  |
| 7. (A)  | 32. (B) | 57. (A) | 82. (A)  |
| 8. (B)  | 33. (A) | 58. (A) | 83. (D)  |
| 9. (D)  | 34. (C) | 59. (C) | 84. (C)  |
| 10. (C) | 35. (A) | 60. (D) | 85. (A)  |
| 11. (D) | 36. (A) | 61. (C) | 86. (C)  |
| 12. (C) | 37. (B) | 62. (B) | 87. (A)  |
| 13. (A) | 38. (D) | 63. (D) | 88. (A)  |
| 14. (A) | 39. (B) | 64. (A) | 89. (B)  |
| 15. (A) | 40. (C) | 65. (D) | 90. (C)  |
| 16. (A) | 41. (A) | 66. (D) | 91. (C)  |
| 17. (A) | 42. (D) | 67. (B) | 92. (A)  |
| 18. (B) | 43. (C) | 68. (C) | 93. (A)  |
| 19. (C) | 44. (B) | 69. (A) | 94. (B)  |
| 20. (C) | 45. (D) | 70. (B) | 95. (B)  |
| 21. (B) | 46. (A) | 71. (A) | 96. (B)  |
| 22. (D) | 47. (C) | 72. (A) | 97. (B)  |
| 23. (A) | 48. (C) | 73. (C) | 98. (D)  |
| 24. (A) | 49. (D) | 74. (D) | 99. (D)  |
| 25. (A) | 50. (D) | 75. (A) | 100. (A) |